

SOLO 4 VINYL DRAIN

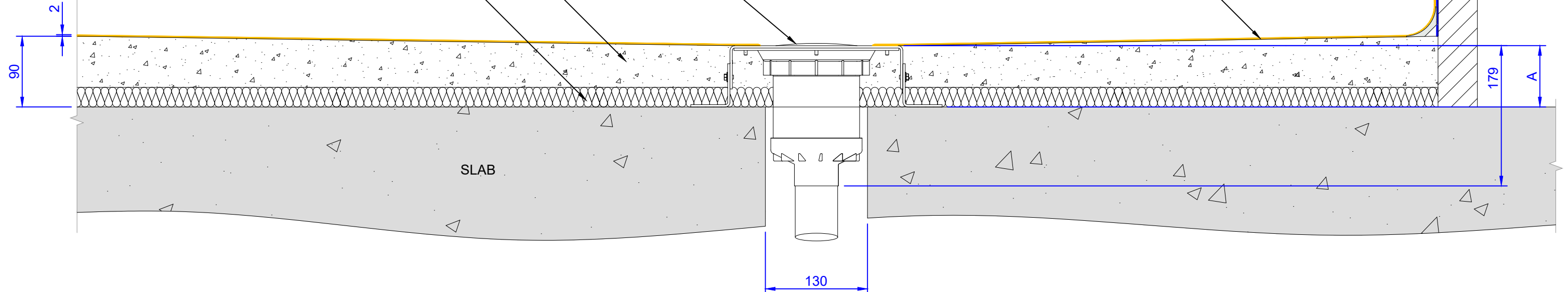
VINYL SHEET FLOORING

SCREED TO FALLS

INSULATION

FWM  
(FLEXIBLE WALL MEMBRANE)

SLAB



DIMENSION A:  
MIN: 55mm  
MAX: 89mm  
DRAWN AS: 78mm

260324	CD	HB	HB		CCL BUILDING PRODUCTS LTD LODGE FARM HOOK ROAD NORTH WARNBOROUGH HOOK ROAD, RG29 1HA TEL : 0344 327 6002
DATE	DRN	CHKD	APRD		
FINISH				TITLE	
CLEAN				SOLO4 VINYL DRAIN - VERTICAL OUTLET	
TOLERANCE - UNLESS STATED				DRG. No.	
± 0.2				CURRENT ISSUE	
ORIGINAL SCALE				A	
1:5 @ A3					
DIMENSIONS IN MILLIMETRES UNLESS STATED					