
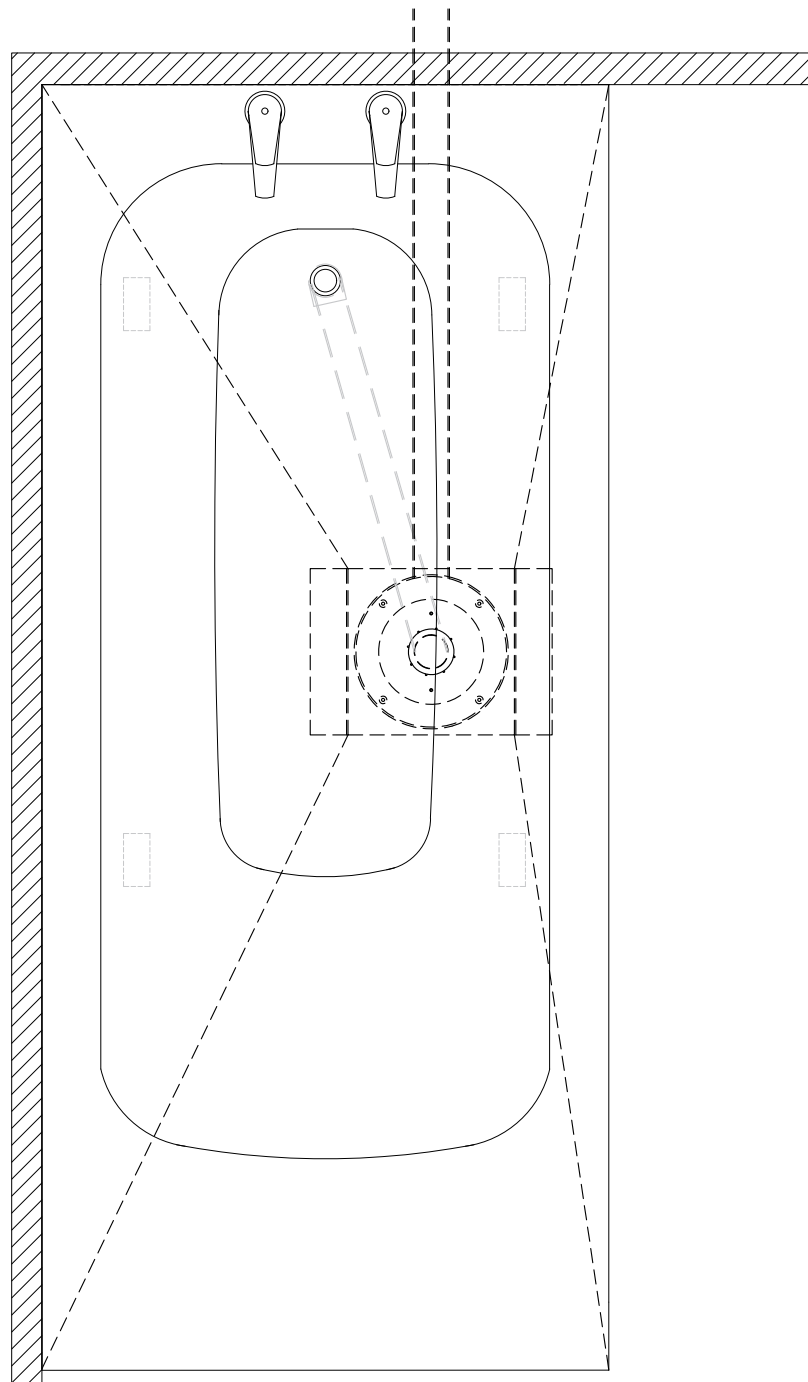


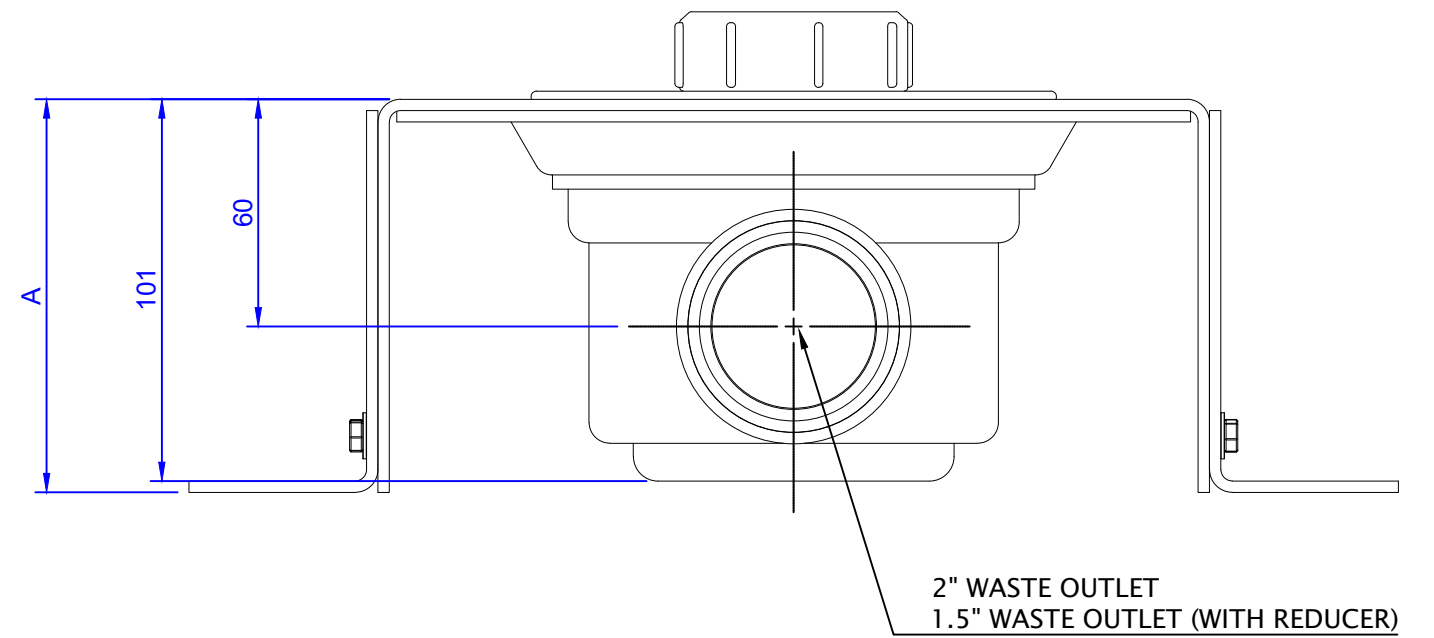
DIMENSION A:
 MIN: 104mm
 MAX: 184mm
 DRAWN AS: 104mm

260324	CD	NW	HB		CCL BUILDING PRODUCTS LTD LODGE FARM HOOK ROAD NORTH WARNBOROUGH HOOK ROAD, RG29 1HA TEL : 0344 327 6002
DATE	DRN	CHKD	APRD		
FINISH				CLEAN	
TOLERANCE - UNLESS STATED				± 0.2	
ORIGINAL SCALE				1:5 @ A3	
DIMENSIONS IN MILLIMETRES UNLESS STATED				DRG. No. TD-M40S4D102	
				TITLE M40 SOLO4 DRAIN ON SCREEDED FLOOR HORIZONTAL OUTLET, WITH BATH - SHEET 1 OF 2	
				CURRENT ISSUE B	


PLAN VIEW: 1:10



DRAIN DETAIL: 1:2



DIMENSION A:
MIN: 104mm
MAX: 184mm
DRAWN AS: 104mm

260324	CD	NW	HB		CCL BUILDING PRODUCTS LTD LODGE FARM HOOK ROAD NORTH WARNBOROUGH HOOK ROAD, RG29 1HA TEL : 0344 327 6002
DATE	DRN	CHKD	APRD		
FINISH				CLEAN	
TOLERANCE - UNLESS STATED				± 0.2	
ORIGINAL SCALE				1:5 @ A3	
DIMENSIONS IN MILLIMETRES UNLESS STATED				DRG. No. TD-M40S4D102	
				CURRENT ISSUE B	
				TITLE M40 SOLO4 DRAIN ON SCREEDED FLOOR HORIZONTAL OUTLET, WITH BATH - SHEET 2 OF 2	