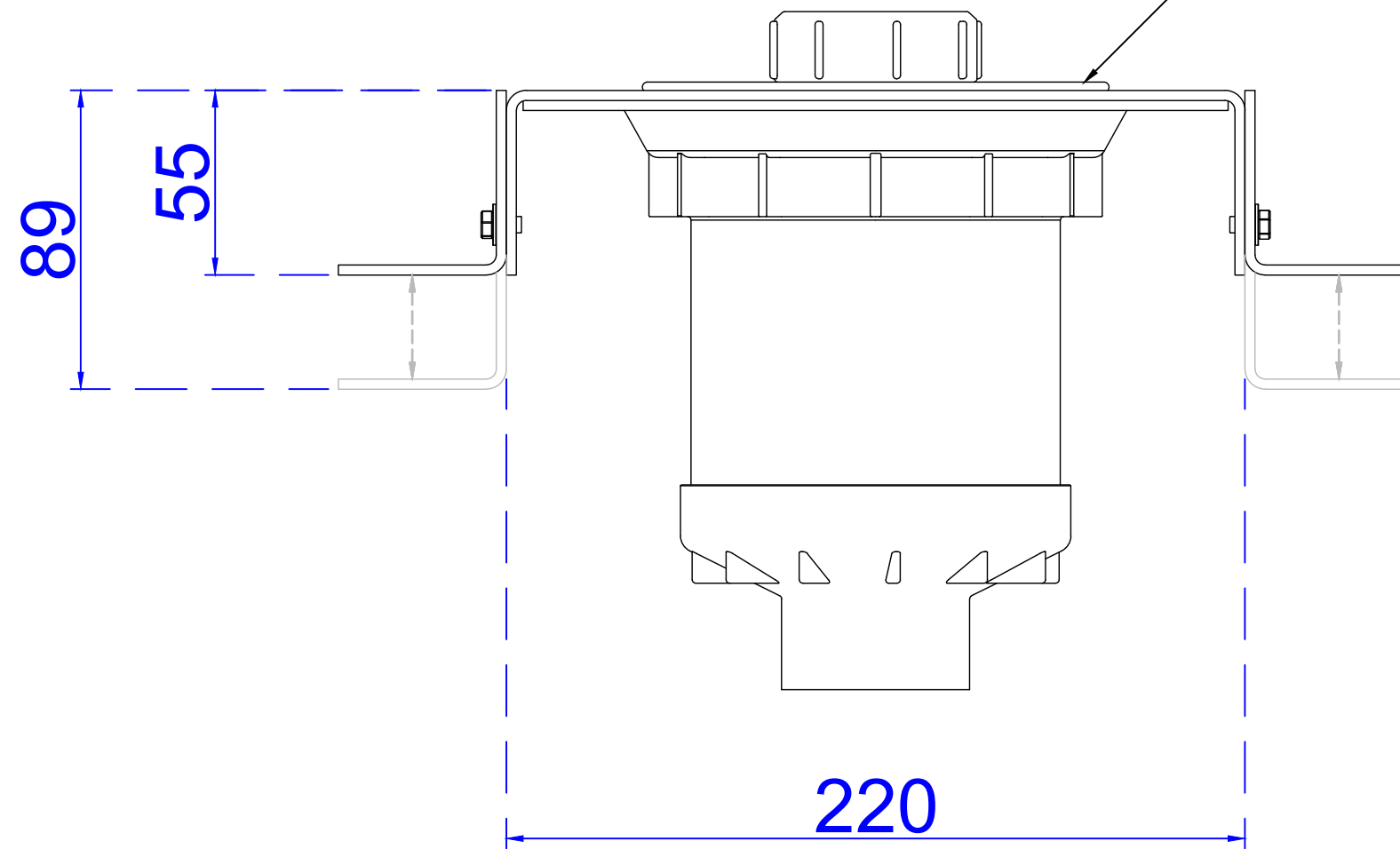



BATH ADAPTOR



**BRACKETS
HEIGHT ADJUSTABLE**

230323	CD	NW	HB		CCL BUILDING PRODUCTS LTD LODGE FARM HOOK ROAD NORTH WARNBOROUGH HOOK ROAD, RG29 1HA TEL : 0344 327 6002
DATE	DRN	CHKD	APRD		
FINISH				TITLE	
CLEAN				M40 SOLO4 DRAIN - VERTICAL OUTLET, M40 ADAPTOR - FRONT VIEW	
TOLERANCE - UNLESS STATED ± 0.2				DRG. No.	
ORIGINAL SCALE 1:2 @ A3				TD-M40S4D222	
DIMENSIONS IN MILLIMETRES UNLESS STATED				CURRENT ISSUE A	